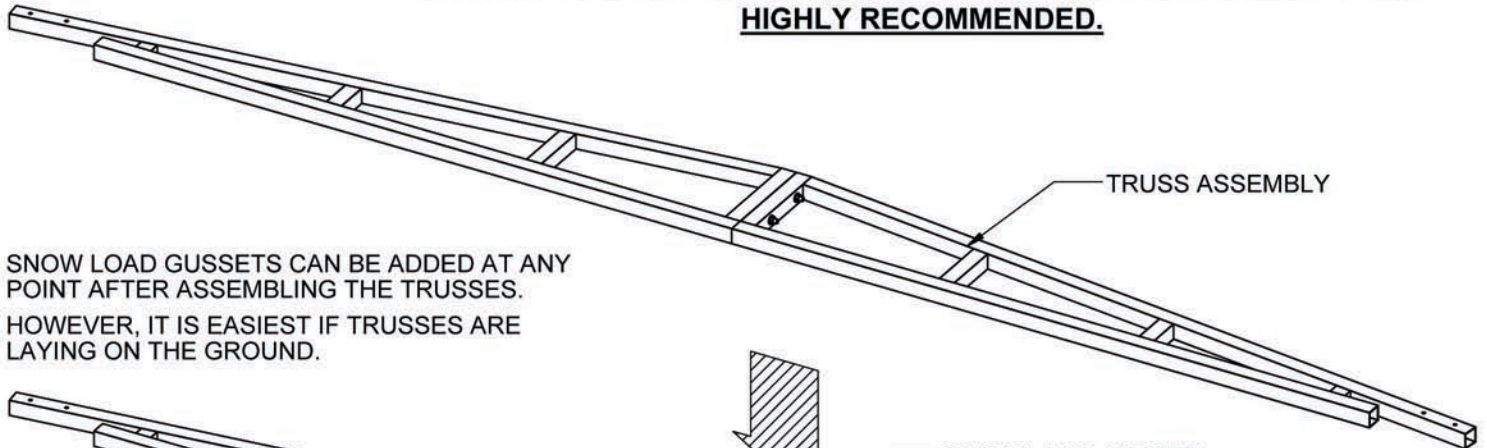


SNOW LOAD GUSSET INSTALLATION INSTRUCTIONS

IF LOCATION OF PIT GARAGE IS IN AN AREA WHERE GROUND SNOW LOADS ARE GREATER THAN 30LB/SQ FT, SNOW LOAD GUSSETS ARE HIGHLY RECOMMENDED.



SNOW LOAD GUSSETS CAN BE ADDED AT ANY POINT AFTER ASSEMBLING THE TRUSSES. HOWEVER, IT IS EASIEST IF TRUSSES ARE LAYING ON THE GROUND.

